

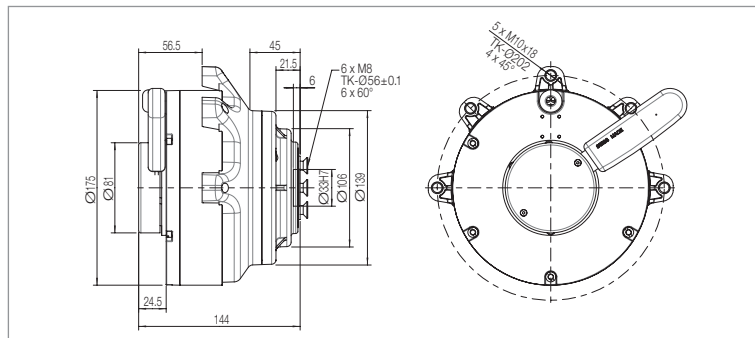
Wheel Hub Motor 400 -T Swissdrive

Description

- DC motor with permanent magnet: 6-pole
- Compact traction drive
- Tyres 3.00-8 or vulkollan coated wheel with diameter 200 mm mountable onto hub
- Quiet operation
- Optimised Efficiency
- Minimised current consumption
- With special flange directly mountable onto vehicle chassis
- Electromagnetic holding brake with swivel lever for manual unlocking (24VDC, 8 Nm)

Typical Applications

- Wheelchairs
- Electric powered compact vehicles
- Floor transportation vehicles



Technical Information (further versions possible on request)		
Nominal voltage (non-standard voltages on request)	[VDC]	12, 24, 36, 48, 60
Nominal power	[W]	400
No load speed	[rpm]	190
Nominal torque	[Nm]	24
Starting torque	[Nm]	110
Nominal current at 24VDC (depending on voltage, speed and load)	[A]	25
Motor diameter D	[mm]	175
Mounting	-	flange
Wheel	right, left	diverse tyres, Vulkollan wheel
Insulation Protection	Class F IP43	further versions on request
Dimensions	[mm]	refer drawing