

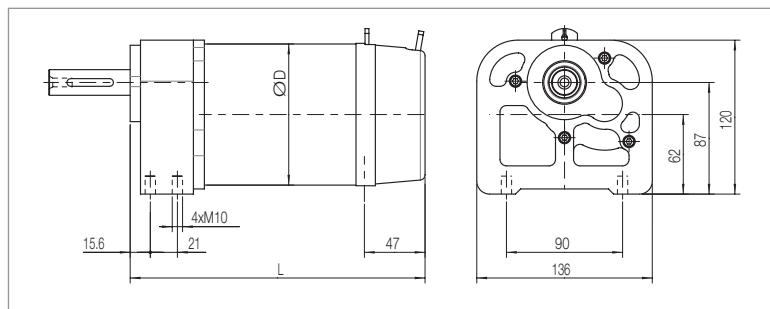
Spur Gear Motor PMS

Description

- > DC motor with permanent magnet: 4-pole
- > 2-stage gear
- > Quiet operation
- > Long life time of carbon brushes
- > Compact traction drive
- > Simple design and easy to be installed
- > Electromagnetic holding brake with bowden cable or rotary unlocking (12/24 VDC, 2.5 – 5 Nm)

Typical Applications

- > Wheelchairs
- > Traction drive
- > Logistics- and transport-vehicles
- > Small vehicles
- > Wheel drive



Technical Information (further versions possible on request)		
Nominal voltage (non-standard voltages on request)	[VDC]	12, 24, 36, 48, 60
Nominal power	[W]	300 – 500
No load speed	[rpm]	100 – 200
Nominal torque	[Nm]	18 – 30
Motor diameter D	[mm]	110
Gear: 2-stage reduction	[i]	21.5
Mounting	-	frame, flange, etc.
Drive shaft	right, left	with key, with flange, with thread, milled or teathed
Insulation Protection	Class F IP43	further versions on request
Dimensions	[mm]	L 292 shaft custom specific