

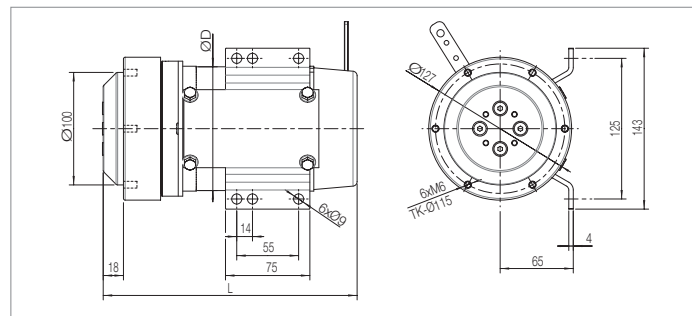
## Hub Motor PMN

### Description

- DC motor with permanent magnet: 4-pole
- Gear version available for heavy duty operation
- Compact traction drive
- Rim directly mountable onto different hubs
- Quiet operation
- Long life time of carbon brushes
- Optimised Efficiency
- Easy to be installed and adaptable to application
- Electromagnetic holding brake with bowden cable or rotary unlocking (12/24 VDC, 2.5–5 Nm)

### Typical Applications

- Motorised wheelchairs
- Electric powered compact vehicles



<b>Technical Information</b> (further versions possible on request)		
<b>Nominal voltage</b> (non-standard voltages on request)	[VDC]	12, 24, 36, 48, 60
<b>Nominal power</b>	[W]	300, 550
<b>No load speed</b>	[rpm]	145–250
<b>Nominal torque</b>	[Nm]	18–43
<b>Nominal current</b> at 24VDC (depending on voltage, speed and load)	[A]	20–35
<b>Motor diameter D</b>	[mm]	110
<b>Gear versions</b>	[i]	15.75, 18.7, 21.4
<b>Mounting</b>	-	flange, base, etc.
<b>Hub</b>	right, left	flange adaptable
<b>Insulation Protection</b>	Class F IP43	further versions on request
<b>Dimensions</b>	[mm]	L 219–276 (depending on power, gear and hub)