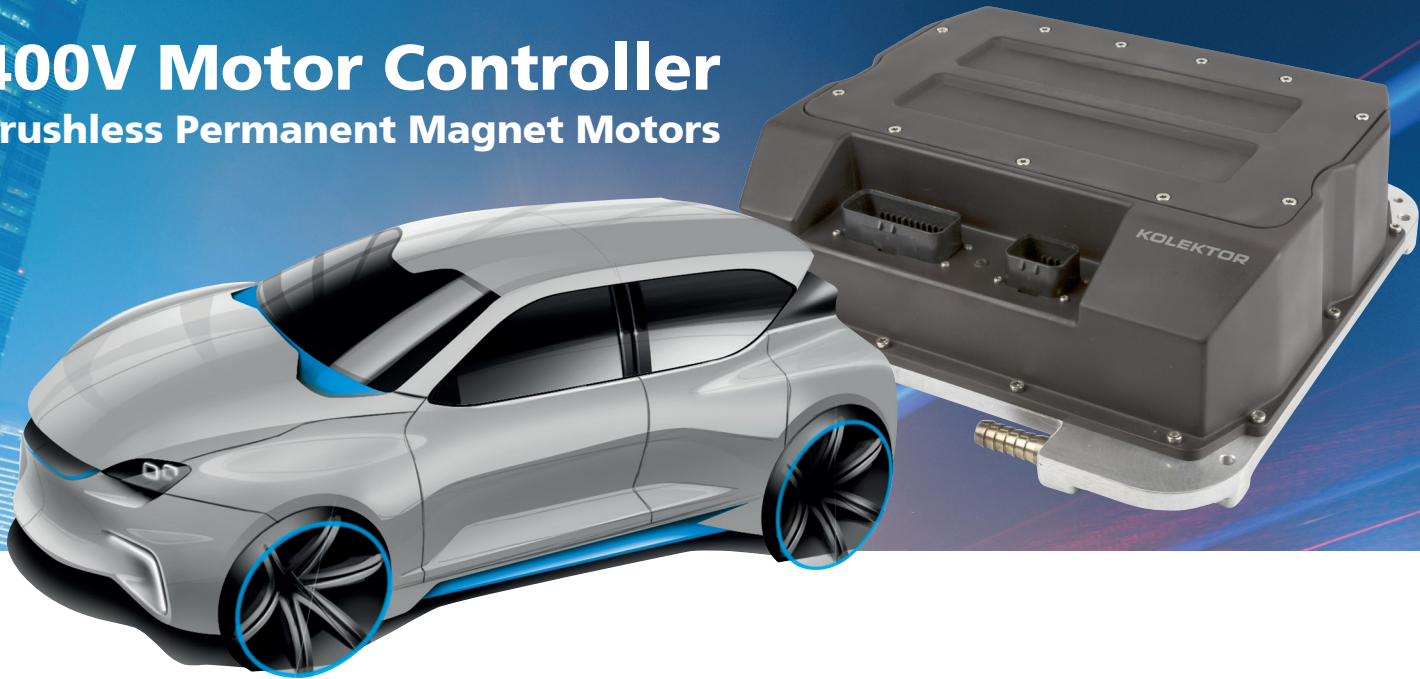


## 400V Motor Controller Brushless Permanent Magnet Motors



High voltage motor controller is suitable for running synchronous permanent magnet motors as traction or generator set. It combines high power performance within a compact package and high level of interconnectivity for comprehensive integration into the EV/HEV.

### Features of EV/HEV-MC 230/400

- Supply voltage up to 400V
- External watchdog for micro controller observation
- Detection of system malfunction before starting the operation and preventing of switching on the main contactor
- Dynamic addressing
- Observation of drive and motor temperatures
- Measurement of supply voltage and limiting the battery current depending on battery condition
- Water cooled
- Software supported:
  - Vector control (speed/position based)
  - Sensor /sensorless control (sensorless for limited set of operations)
- EMC compliance EN61000-6-1/4 Class B
- Safety compliance IEC 60950-1 Class I

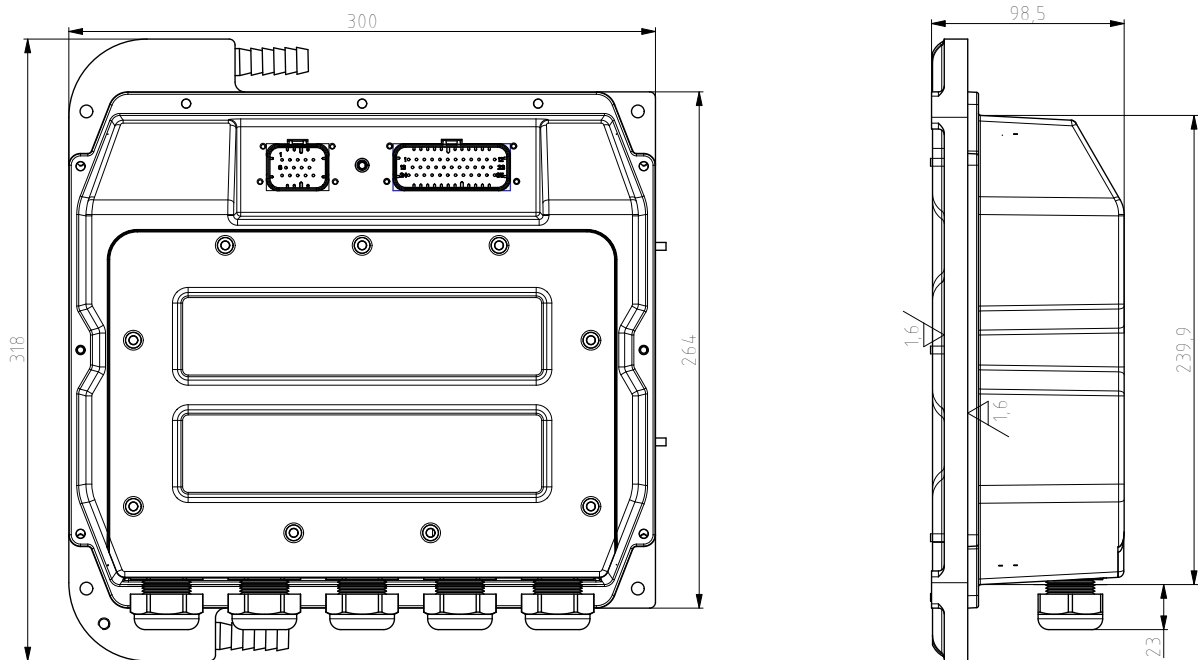
### Communication Interfaces

Drives can be interconnected to master controllers in various applications over CAN BUS (SAE J1939). There is an option of additional module, which works as an electronic differential unit in case of multi motor application.

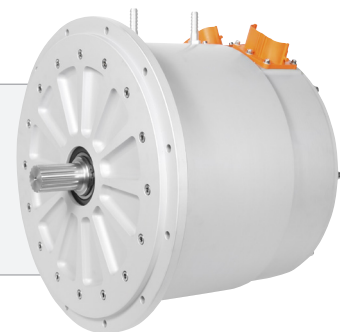
## Specification

Specification	EV/HEV-MC 230/400
Nominal Working Voltage	120VDC - 385VDC
Working Voltage Limit	80VDC - 400VDC
Boost current (10 sec) *	260A
Peak current (2 min) *	230A
Cont. current (60 min)*	200A
Safety loop	1 output (Relay) 1 input (Emergency stop)
Motor temperature sensor input	Yes (Thermistor)
Motor UVW inputs	YES
Motor encoder (AB) inputs	YES
Sin/Cos feedback inputs	YES
Encoder supply output	5V alt. 10V (max. 100mA)
Communication interfaces	CAN-CAN SAE J1939 RS485-MODBUS
Ambient operating temperature	- 40°C to + 85°C
Dimensions (LxWxH)	300x264x112 mm

\*Depending on cooling conditions



**In Combination With Our Synchronous PM Motor You Get a Complete Solution.**



**KOLEKTOR GROUP d.o.o.**

Vojkova ulica 10 • SI-5280 Idrija • Slovenia

tel.: +386 5 3750 100 • fax.: +386 5 3750 150 • [www.kolektordrives.com](http://www.kolektordrives.com)

Sales: [matjaz.potocnik@kolektor.com](mailto:matjaz.potocnik@kolektor.com) • Technical advice: [franci.lahajnar@kolektor.com](mailto:franci.lahajnar@kolektor.com)