

## 145 kW Synchronous PM Motor

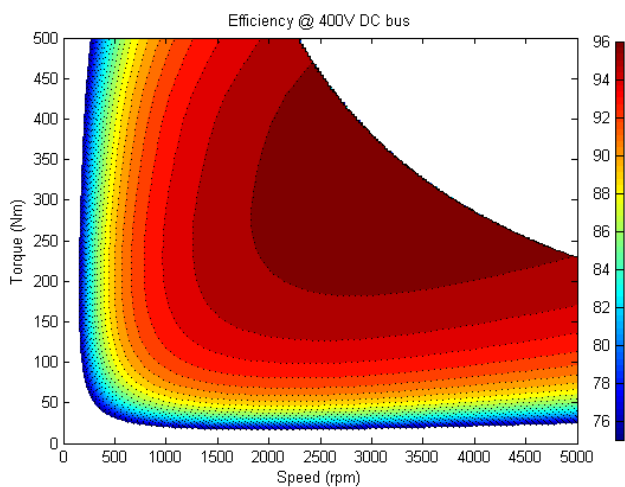
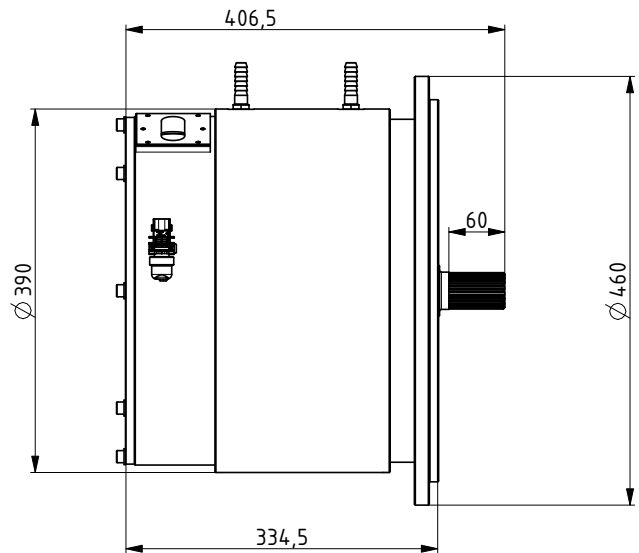
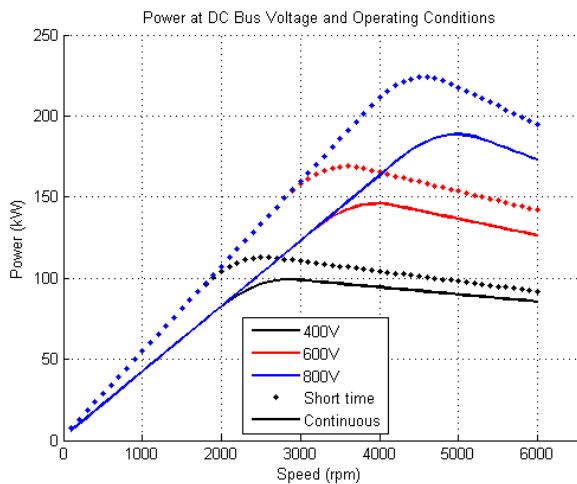
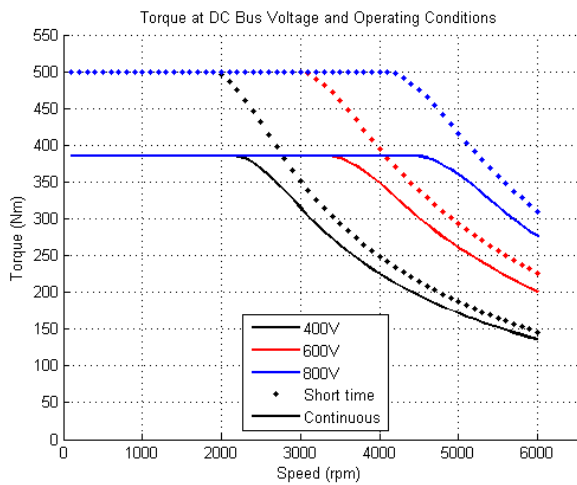


Kolektor introduce New High Efficient Synchronous Motor with excellent field weakening capabilities and with three or multi motor phases. The motor can be set up for different voltages for example 400, 600 or even as 800V system, depending on application needs.

### Specifications

Nominal Voltage	600 VDC
Continuous output power	145 kw @ 4.000 rpm
Max. Output power (2 min)	170 kw
Speed Range	6000 rpm
Nominal torque	380 Nm
Peak torque*	500 Nm @ 3.000 rpm
Max. Motor Efficiency	> 96%
Motor weight	98 kg
Cooling	Water cooled
IP protection	56
Flange	SAE 3
Shaft	DIN 5480 W40x2x18x8H

\*Electrical inverter capability related



In Combination With Our Brushless Motor Controller You Get a Complete Solution.



## KOLEKTOR GROUP d.o.o.

Vojkova ulica 10 • SI-5280 Idrija • Slovenia  
tel.: +386 5 3750 100 • fax.: +386 5 3750 150

Sales: [matjaz.potocnik@kolektor.com](mailto:matjaz.potocnik@kolektor.com) • Technical advice: [franci.lahajnar@kolektor.com](mailto:franci.lahajnar@kolektor.com)  
[www.kolektordrives.com](http://www.kolektordrives.com)